

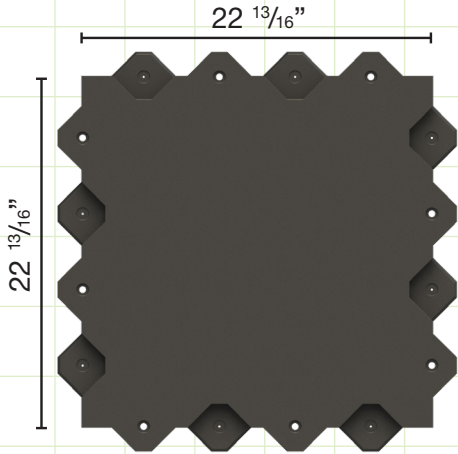


Panel Specifications

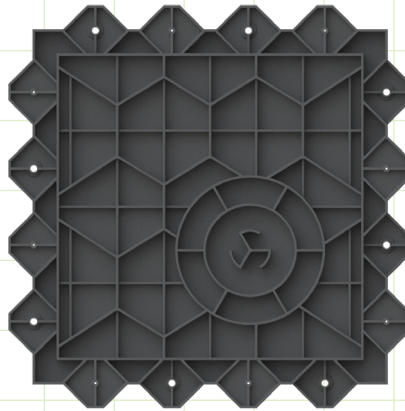
The secret is the patented modular putting green design. The Tour Links interlocking panel system makes installation a snap in any environment. Designed to follow any terrain to create natural breaks and contours, our panels provide perfect ball roll, bringing country club quality practice to your home. Professional practice, professional results. Your imagination is the only limitation.

U.S. Patent 6,302,802 | 6,672,971 | 6,672,970 | 6,672,572

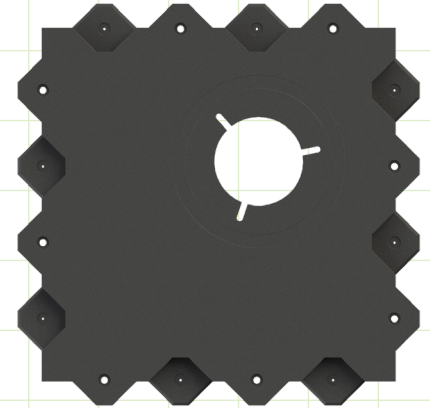
Center Panels



Top View
P2-ICNI
 8.3 lbs. — 3.61 SF

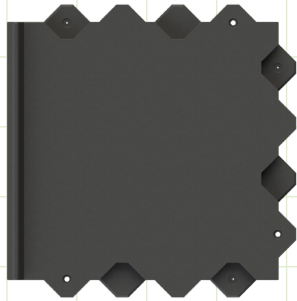


Bottom View



P2-ICCNI
 7.4 lbs. — 3.61 SF

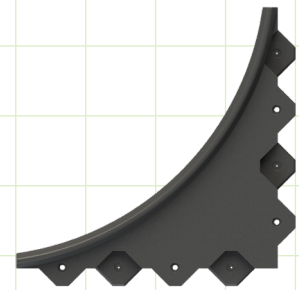
Bump Rail Edge Panels



P2-SENI
 7.5 lbs. — 3.61 SF



P2-ORSCENI — 5.95 lbs.



P2-IRSCENI — 3.4 lbs.

**All Tour Links panels are two inches thick.

VERTICAL DRAINAGE: 175" per hour
PSI: Minimum of 300 lbs. per sq. in

PACKAGING:

Panels per box: 10
Panels per pallet: 50 (boxed pallet 40)
Panels per truck: 1200 (24 pallets of 50)

PANEL WEIGHT PER PALLET: (50 panels per pallet) or (4 boxes per pallet)

P2-ICNI: 476 Pounds per pallet (panels); 379 Pounds per pallet (boxes)
P2-ICCNI: 430 Pounds per pallet (panels); 357 Pounds per pallet (boxes)
P2-SENI: 435 Pounds per pallet (panels); 354 Pounds per pallet (boxes)
P2-ORSCENI: 358 Pounds per pallet (panels); 305 Pounds per pallet (boxes)
P2-IRSCENI: 230 Pounds per pallet (panels); 200 Pounds per pallet (boxes)



Proudly made in the USA from recycled and recyclable materials.

866.921.7888 | 727.391.9009
www.UltraBaseSystems.com | www.TourLinks.net